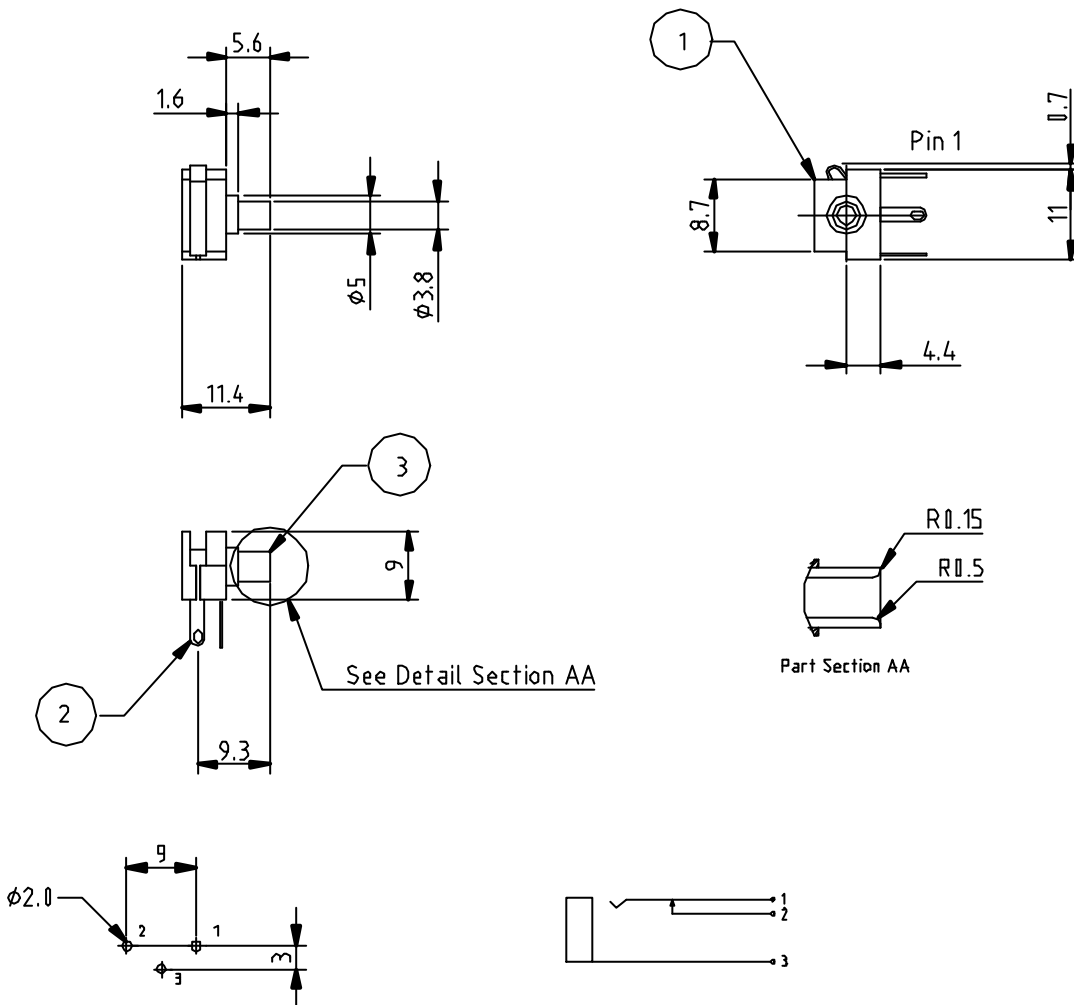


RevNo	Revision note	Date	Signature	Checked
1	ECN109 REMOVE THREAD. ADD 0.5 INT.RADIUS	20/6/2002	GPU	

1. Recommended plug: IFPL p/n 98-1000-000-2
2. Mass: 1g
3. Provide space behind jack for clearance of debris
4. Jack will mate with standard 2.5mm stereo plug
5. Supplier p/n 4801.2200.06



Drilling Detail
[viewed from above]

Wiring Detail

THE INFORMATION CONTAINED IN THIS DRAWING IS THE PROPERTY OF Inflight Peripherals Limited AND IS SUPPLIED WITHOUT LIABILITY FOR ERRORS OR OMISSIONS. NO PART MAY BE REPRODUCED OR USED EXCEPT AS AUTHORISED BY CONTRACT OR OTHER WRITTEN PERMISSION.

3	1	Boss p/n 0720.4021.06	Nickel plated brass
2	3	Terminal	Phos.Bronze/Gold Plated
1	1	Connector body	30% Glass filled Polyester UL94HB

Itemref	Quantity	Title/Name, designation, material, dimension etc			
Designed by GUNDERWOOD	Checked by CHECKED_BY	Approved by - date	Filename 1023-0-111	Date 28-JUN-00	Scale 1:1



Inflight Peripherals Limited
Carlsbrooke Mill, Isle of Wight
ENGLAND, PO31 1NS

Audio Jack, Switching, 2.5mm Mono

1023-000-1

Revision 1	Sheet 1
---------------	------------